

Series 82-EPV

Order code

82-EPV-***-***-***

Series	←	→	Connection
Type / Nominal size	←	→	F1 G1/8 (only type 1)
1 2 mm			F2 G1/4
2 7 mm			F3 G3/8 (only type 2 and 3)
3 11 mm			F4 G1/2 (only type 3)
Output range	←	→	Mounting
1 0,05 ... 1 bar			F single mounting
3 0,05 ... 5 bar			S subbase mounting
5 0,05 ... 9 bar			
Input signal	←		
0 4 ... 20 mA DC			
3 0 ... 10 V DC			
Output signal	←		
1 1 ... 5 V DC			
2 switch, NPN output			
3 switch, PNP output			
4 4 ... 20 mA DC			

Accessories

Model-no.: 82-EPV-MB-L
L-type bracket



Model-no.: 86-ST-EPV-C-3
Cable connector, straight, 3m



Model-no.: 82-EPV-MB-C
Flat bracket

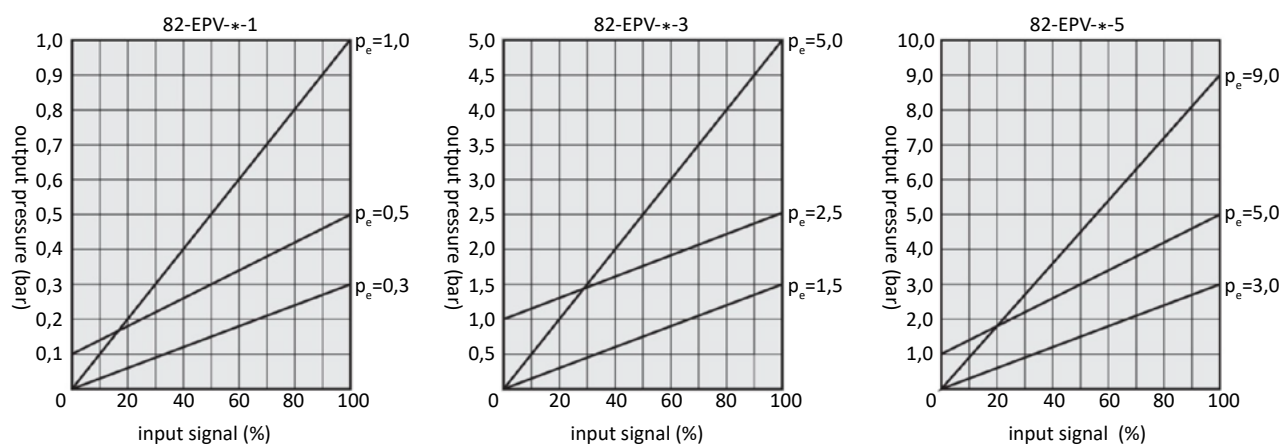


Model-no.: 86-ST-EPV-L-3
Cable connector, right angle, 3m



Technical data

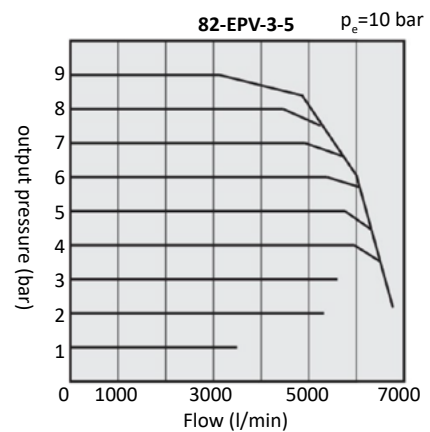
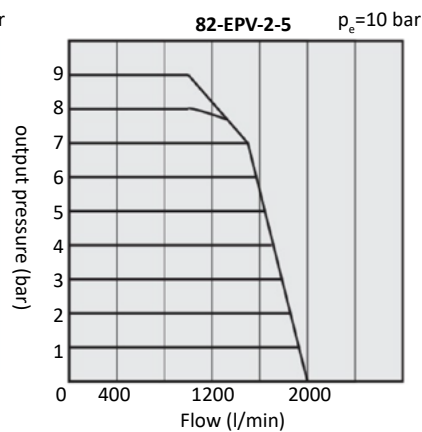
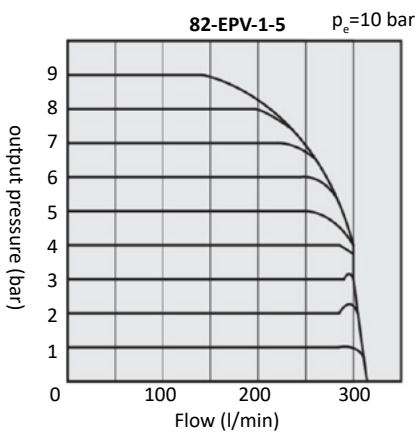
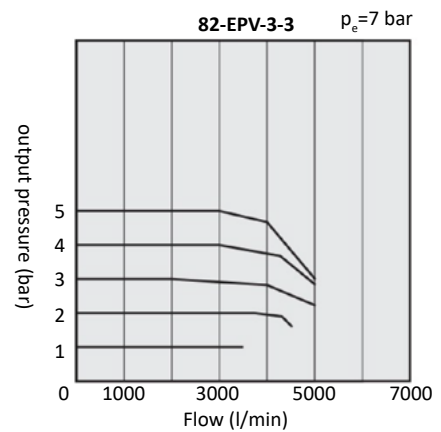
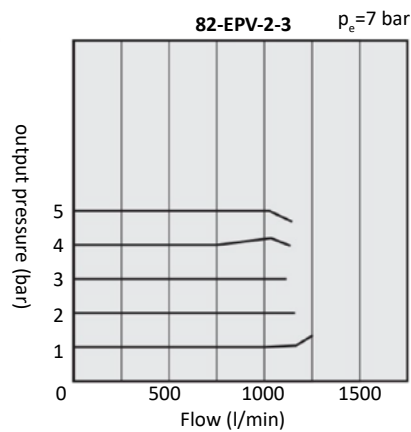
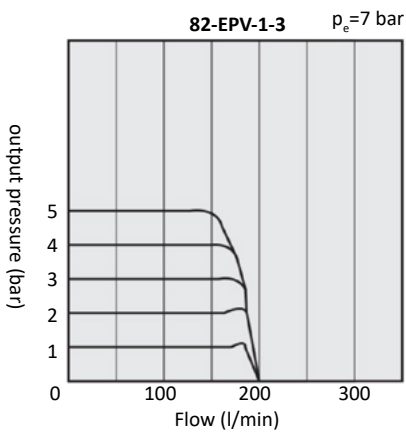
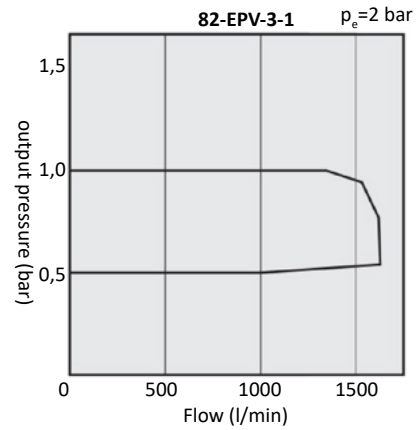
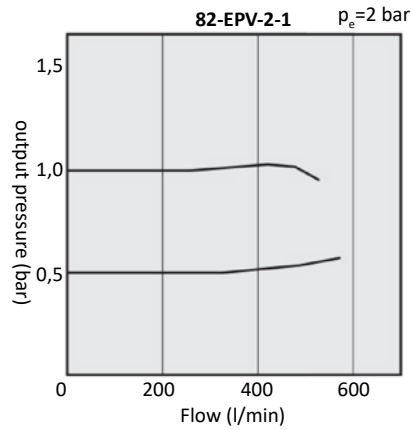
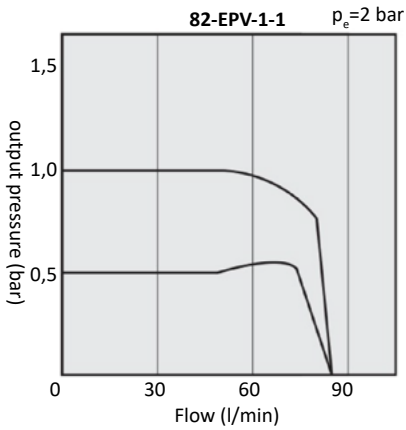
Model-no.:	82-EPV-1-1 82-EPV-2-1 82-EPV-3-1	82-EPV-1-3 82-EPV-2-3 82-EPV-3-3	82-EPV-1-5 82-EPV-2-5 82-EPV-3-5
Input range (bar)	1 ... 2	1 ... 10	1 ... 10
Output range (bar)	0,05 ... 1	0,05 ... 5	0,05 ... 9
Input signal	0 ... 10 V or 4 ... 20 mA		
Input impedance	ca. 6,5 kΩ (0 ... 10 V) ≤ 250 Ω (4 ... 20 mA)		
Output signal (analog)	0 ... 5 V or 4 ... 20 mA		
Output signal (switch)	NPN or PNP (max. 30 V, 80 mA)		
Repeatability	± 0,5% (full span)		
Linearity	± 1% (full span)		
Hysteresis	0,5% (full span)		
Temperature characteristics	2% (full span)/K		
Display precision	± 2% (full span)		
Electrically connection	M12-plug, 4-pin		
Nominal voltage	24 V DC ± 10%		
Power consumption	max. 3 W		
Protection	IP 65 according to EN 60529		
Weight (kg)	82-EPV-1	0,25	
	82-EPV-2	0,37	
	82-EPV-3	0,66	

Linearity


Series 82-EPV

Technical data

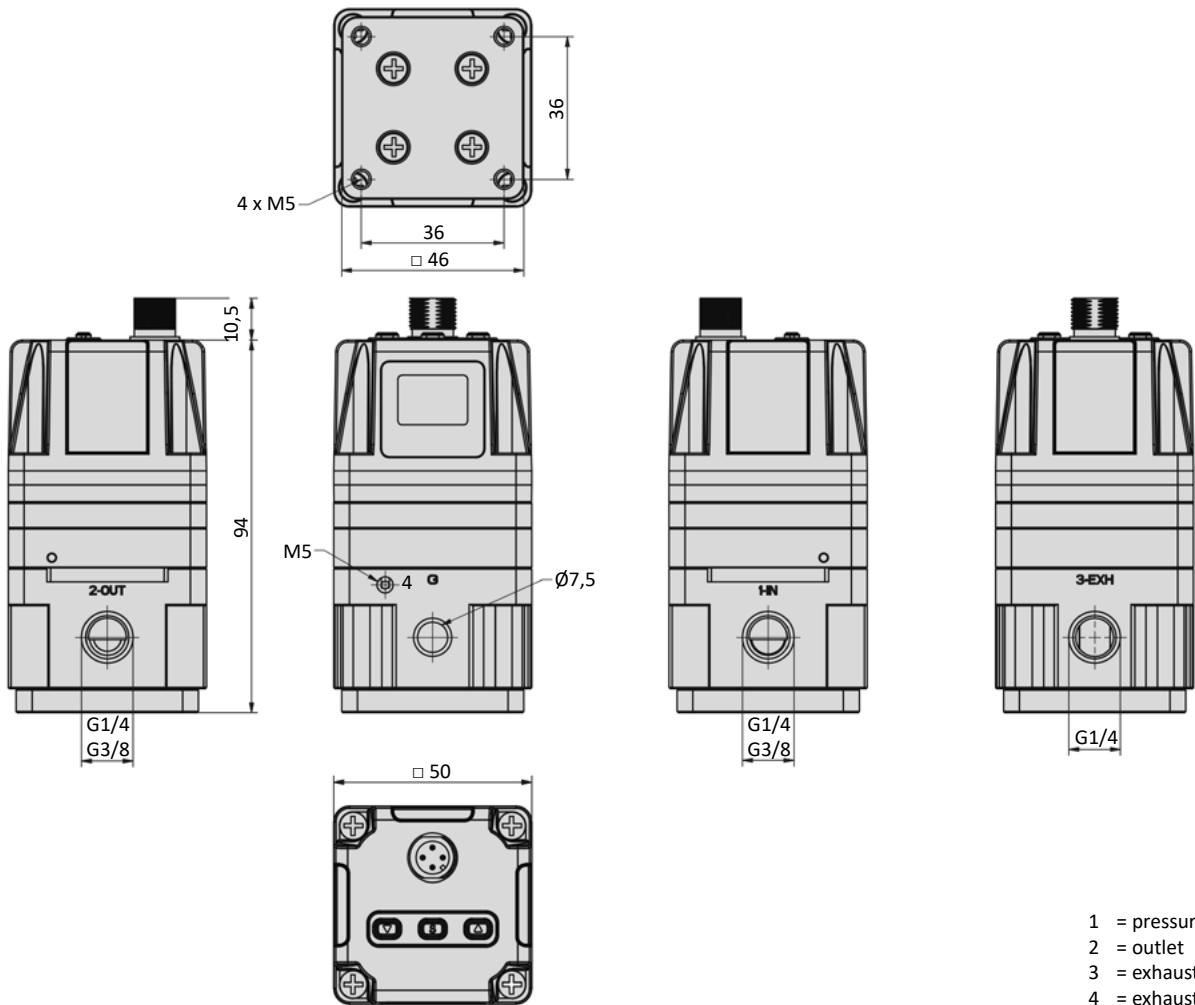
Flow characteristics



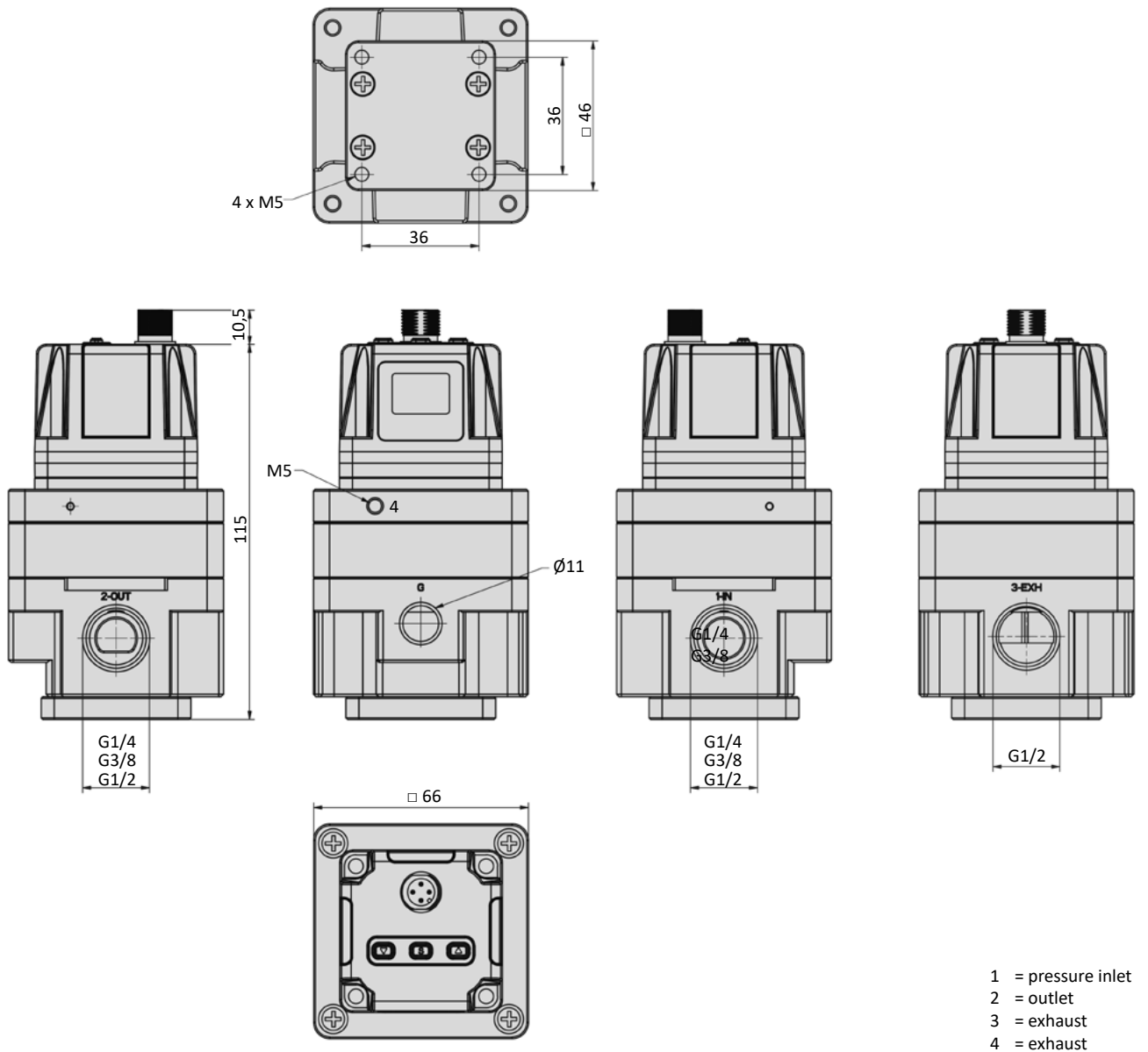
Series 82-EPV

Dimensions

82-EPV-2



- 1 = pressure inlet
- 2 = outlet
- 3 = exhaust
- 4 = exhaust

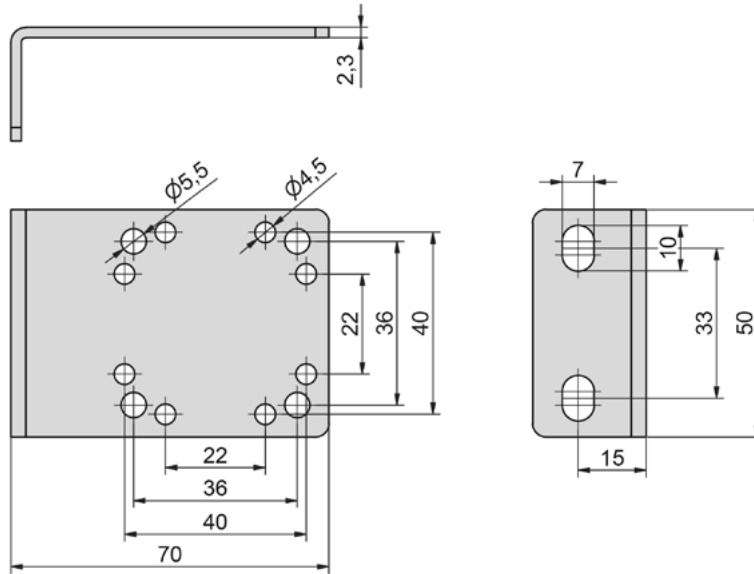
Dimensions
82-EPV-3


Series 82-EPV



Dimensions

Bracket 82-EPV-MB-L



Bracket 82-EPV-MB-C

